

## Air conditioning fan heater AREO series

In line with recent HVAC trends, **Galletti** offers a universal unit for medium-sized and large industrial and commercial buildings which combines year-round heating and air-conditioning functions

Distinguishable by its original rounded shape, **AREO** stands out above all for its technical features (all models are equipped with three-speed motors and configured for operation with chilled water) and one of the lowest noise levels you will find in the market.

The **AREO** series comprises **18** models, all designed to be wall mounted (horizontal air flow) and to operate with hot water and chilled water, thanks to an innovative condensate collection and drainage system.

If used for heating only, **AREO** can also be ceiling mounted (vertical air flow).



### MAIN CONSTRUCTION FEATURES

- A pre-painted sheet steel **cabinet** complete with **ABS** corner trim, internally insulated to prevent condensate from forming on the cabinet during operation with chilled water.
- The cabinet is complete with **adjustable** aluminium **louvers** (spring-operated) placed on the air outlet which enable an optimal distribution of air within the air conditioned room.
- On the rear of the cabinet there are 4 **brackets** for suspending the fan heater from the ceiling or joining it to the mounting board for installation on the wall (accessory)
- High conductivity **heat exchanger** made with copper piping and aluminium fins assuring higher heat exchange than standard iron piping exchangers.  
The heat exchanger is set back in relation to the air outlet, an auxiliary drip tray is fitted on to the front to guarantee complete collection of condensate.
- Galvanised sheet steel **drip tray** insulated with closed-cell polyurethane, connected to the auxiliary tray.
- **Motor**  
Two Speeds, 4/6 poles or 6/8 poles, in the three-phase 400V version.  
3 speeds in the single-phase 230V (1400, 900 e 700 rpm), available for the complete range  
Upon request, the following equipment is available:  
- Polarity different from standard ones (example 4/8 poles)
- **Axial Fan** with statically balanced sickle blades housed in a specially designed compartment that enhances ventilation and reduces noise emissions.
- **Safety grille** made of electrogalvanised steel wire: it supports the motor and is fixed to the cabinet by means of vibration-damping supports

RATED TECHNICAL DATA										
Model	Fan speed	Air flow m <sup>3</sup> /h	Heating capacity kW	Total cooling capacity kW	Sensible cooling capacity kW	Max installation height m	Sound power dB A	Sound Pressure dB A	Weight kg	Standard coil water content dm <sup>3</sup>
AREO 12	4P	1260	8,89	-	-	3,0	66	44	19,4	0,88
	6P	788	6,77	3,08	1,77	3,0	62	40		
	8P	630	5,92	2,68	1,55	3,0	56	34		
AREO 13	4P	1208	11,81	-	-	3,0	66	44	19,8	1,18
	6P	735	8,62	3,92	2,25	3,0	62	40		
	8P	599	7,53	3,40	1,97	3,0	56	34		
AREO 14	4P	1155	13,93	-	-	3,0	66	44	20,4	1,47
	6P	683	9,72	4,41	2,55	3,0	62	40		
	8P	578	8,62	3,92	2,29	2,5	56	34		
AREO 22	4P	2835	17,62	-	-	3,5	69	47	25,1	1,33
	6P	1785	13,57	5,88	3,48	3,5	63	41		
	8P	1418	11,85	5,12	3,02	3,5	57	35		
AREO 23	4P	2730	23,98	-	-	3,5	69	47	26,0	1,81
	6P	1733	18,15	8,33	4,82	3,5	63	41		
	8P	1365	15,59	7,12	4,12	3,5	57	35		
AREO 24	4P	2678	27,03	-	-	3,5	69	47	27,0	2,29
	6P	1701	20,22	9,11	5,23	3,5	63	41		
	8P	1334	17,19	7,70	4,43	3,5	57	35		
AREO 32	4P	4620	33,14	-	-	4,5	74	52	33,7	2,15
	6P	2940	25,46	10,64	6,42	4,0	65	43		
	8P	2310	22,02	9,08	5,49	3,5	59	37		
AREO 33	4P	4463	37,83	-	-	4,5	74	52	34,5	2,86
	6P	2835	28,72	12,56	7,45	4,0	65	43		
	8P	2231	24,69	10,71	6,39	3,5	59	37		
AREO 34	4P	4358	43,28	-	-	4,0	74	52	36,1	3,58
	6P	2783	32,54	15,31	8,66	3,5	65	43		
	8P	2174	27,63	12,96	7,30	3,0	59	37		
AREO 42	4P	6510	47,45	-	-	4,5	77	55	39,1	2,84
	6P	4095	36,17	-	-	4,0	69	47		
	8P	3255	31,48	14,10	8,15	3,5	62	40		
AREO 43	4P	6195	53,61	-	-	4,5	77	55	40,8	3,83
	6P	3938	40,67	-	-	3,5	69	47		
	8P	3098	34,91	16,23	9,29	3,5	62	40		
AREO 44	4P	6090	60,59	-	-	4,0	77	55	43,1	4,82
	6P	3885	45,52	-	-	3,5	69	47		
	8P	3045	38,72	17,69	10,25	3,0	62	40		
AREO 52	4P	9450	55,49	-	-	5,0	84	62	49,6	4,16
	6P	5985	42,99	-	-	4,0	73	51		
	8P	4620	37,02	16,22	9,48	4,0	67	45		
AREO 53	4P	9240	70,64	-	-	4,0	84	62	52,0	5,48
	6P	5880	54,09	-	-	4,0	73	51		
	8P	4515	45,98	21,08	12,10	4,0	67	45		
AREO 54	4P	9083	79,16	-	-	4,5	84	62	55,0	6,80
	6P	5775	60,01	-	-	4,0	73	51		
	8P	4463	50,93	24,11	13,73	3,5	67	45		
AREO 62	6P	8820	79,74	-	-	5,5	77	55	57,8	5,09
	8P	6930	68,83	28,89	16,99	5,0	71	49		
AREO 63	6P	8505	94,34	-	-	5,5	77	55	61,0	6,79
	8P	6563	79,67	37,30	21,25	5,0	71	49		
AREO 64	6P	8295	97,62	-	-	5,0	77	55	63,2	8,48
	8P	6405	82,18	39,69	22,48	4,5	71	49		

**Heating mode:** water temperature 85/75°C, air temperature 20°C

**Cooling mode:** water temperature 7/12°C, dry bulb air temperature 28°C, 55% relative humidity

Installation height referred to a difference between air inlet and outlet temperature of 15°C

**Sound pressure calculated for 5 meters distance and directional factor equal to 2**

**Fan speed:**

4 p= 4 poles, 1400  $\frac{\text{Revolution}}{\text{min}}$

6 p= 6 poles, 900  $\frac{\text{Revolution}}{\text{min}}$

8 p= 8 poles, 700  $\frac{\text{Revolution}}{\text{min}}$

#### ATTENTION!

To prevent phenomena of condensate dripping, it is recommended to use AREO fan heaters during the cooling phase only at the speeds shown on the table (6-8 poles for sizes from AREO 12 to AREO 34; 8 poles for sizes from AREO 42 to AREO 64)

## AREO - air conditioning fan heaters

Code	Model	Nr. Of poles	power supply V-ph-Hz	Air flow m <sup>3</sup> /h	Cooling capacity kW	Heating capacity kW	Price list €
AREO126801C0	AREO 12	6 / 8	400-3-50	788	6,77	3,08	499,98
AREO124601C0	AREO 12	4 / 6	400-3-50	1260	8,89	3,08	499,98
AREO12M031C0	AREO 12	4 / 6 / 8	230-1-50	1260	8,89	3,08	522,71
AREO136801C0	AREO 13	6 / 8	400-3-50	735	8,62	3,92	534,08
AREO134601C0	AREO 13	4 / 6	400-3-50	1208	11,81	3,92	534,08
AREO13M031C0	AREO 13	4 / 6 / 8	230-1-50	1208	11,81	3,92	556,80
AREO146801C0	AREO 14	6 / 8	400-3-50	683	9,72	4,41	568,17
AREO144601C0	AREO 14	4 / 6	400-3-50	1155	13,93	4,41	568,17
AREO14M031C0	AREO 14	4 / 6 / 8	230-1-50	1155	13,93	4,41	590,89
AREO226801C0	AREO 22	6 / 8	400-3-50	1785	13,57	5,88	590,89
AREO224601C0	AREO 22	4 / 6	400-3-50	2835	17,62	5,88	590,89
AREO22M031C0	AREO 22	4 / 6 / 8	230-1-50	2835	17,62	5,88	624,98
AREO236801C0	AREO 23	6 / 8	400-3-50	1733	18,15	8,33	647,72
AREO234601C0	AREO 23	4 / 6	400-3-50	2730	23,98	8,33	647,72
AREO23M031C0	AREO 23	4 / 6 / 8	230-1-50	2730	23,98	8,33	670,43
AREO246801C0	AREO 24	6 / 8	400-3-50	1701	20,22	9,11	704,53
AREO244601C0	AREO 24	4 / 6	400-3-50	2678	27,03	9,11	704,53
AREO24M031C0	AREO 24	4 / 6 / 8	230-1-50	2678	27,03	9,11	727,25
AREO326801C0	AREO 32	6 / 8	400-3-50	2940	25,46	10,64	727,25
AREO324601C0	AREO 32	4 / 6	400-3-50	4620	33,14	10,64	727,25
AREO32M031C0	AREO 32	4 / 6 / 8	230-1-50	4620	33,14	10,64	761,35
AREO336801C0	AREO 33	6 / 8	400-3-50	2835	28,72	12,56	795,43
AREO334601C0	AREO 33	4 / 6	400-3-50	4463	37,83	12,56	795,43
AREO33M031C0	AREO 33	4 / 6 / 8	230-1-50	4463	37,83	12,56	829,52
AREO346801C0	AREO 34	6 / 8	400-3-50	2783	32,54	15,31	852,24
AREO344601C0	AREO 34	4 / 6	400-3-50	4358	43,28	15,31	852,24
AREO34M031C0	AREO 34	4 / 6 / 8	230-1-50	4358	43,28	15,31	886,34
AREO426801C0	AREO 42	6 / 8	400-3-50	4095	36,17	14,1	886,34
AREO424601C0	AREO 42	4 / 6	400-3-50	6510	47,45	-	886,34
AREO42M031C0	AREO 42	4 / 6 / 8	230-1-50	6510	47,45	14,1	943,15
AREO436801C0	AREO 43	6 / 8	400-3-50	3938	40,67	16,23	954,51
AREO434601C0	AREO 43	4 / 6	400-3-50	6195	53,61	-	954,51
AREO43M031C0	AREO 43	4 / 6 / 8	230-1-50	6195	53,61	16,23	999,97
AREO446801C0	AREO 44	6 / 8	400-3-50	3885	45,52	17,69	1.045,43
AREO444601C0	AREO 44	4 / 6	400-3-50	6090	60,59	-	1.045,43
AREO44M031C0	AREO 44	4 / 6 / 8	230-1-50	6090	60,59	17,69	1.090,87

**Heating capacity:** water temperature 85/75°C, air temperature 20°C

**Cooling capacity:** water temperature 7/12°C, dry bulb air temperature 28°C, 55% relative humidity

To prevent phenomena of condensate dripping, it is advisable to select indoor units capable of maintaining, when operating at full capacity, an air temperature below 35 °C and relative humidity of less than 60%.

AREO - air conditioning fan heaters							
Code	Model	Nr. Of poles	power supply V-ph-Hz	Air flow m <sup>3</sup> /h	Cooling capacity kW	Heating capacity kW	Price list €
AREO526801C0	AREO 52	6 / 8	400-3-50	5985	42,99	16,22	1.079,51
AREO524601C0	AREO 52	4 / 6	400-3-50	9450	55,49	-	1.079,51
AREO52M031C0	AREO 52	6 / 8 / 10	230-1-50	9450	42,99	16,22	1.124,97
AREO536801C0	AREO 53	6 / 8	400-3-50	5880	54,09	21,08	1.147,70
AREO534601C0	AREO 53	4 / 6	400-3-50	9240	70,64	-	1.147,70
AREO53M031C0	AREO 53	6 / 8 / 10	230-1-50	9240	54,09	21,08	1.204,51
AREO546801C0	AREO 54	6 / 8	400-3-50	5775	60,01	24,11	1.238,60
AREO544601C0	AREO 54	4 / 6	400-3-50	9083	79,16	-	1.238,60
AREO54M031C0	AREO 54	6 / 8 / 10	230-1-50	9083	60,01	24,11	1.295,41
AREO626801C0	AREO 62	6 / 8	400-3-50	8820	79,74	28,89	1.306,78
AREO62M031C0	AREO 62	6 / 8 / 10	230-1-50	8820	79,74	28,89	1.363,60
AREO636801C0	AREO 63	6 / 8	400-3-50	8505	94,34	37,3	1.420,41
AREO63M031C0	AREO 63	6 / 8 / 10	230-1-50	8505	94,34	37,3	1.465,87
AREO646801C0	AREO 64	6 / 8	400-3-50	8295	97,62	39,69	1.568,13
AREO64M031C0	AREO 64	6 / 8 / 10	230-1-50	8295	97,62	39,69	1.613,59

**Heating capacity:** water temperature 85/75°C, air temperature 20°C

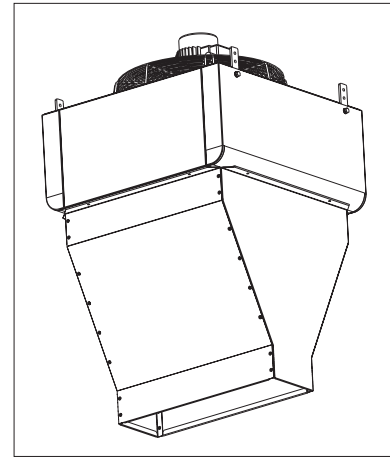
**Cooling capacity:** water temperature 7/12°C, dry bulb air temperature 28°C, 55% relative humidity

To prevent phenomena of condensate dripping, it is advisable to select indoor units capable of maintaining, when operating at full capacity, an air temperature below 35 °C and relative humidity of less than 60%.

## Heaters with air curtain diffuser

In order to create a hot air barrier near doorways, AREO is also available in an air curtain diffuser version, for use with the relevant diffuser.

- Suitable for operation with hot water
- Vertical air projection
- Painted steel plate casing with internal insulation
- Support brackets for connection to threaded bars or chains
- Heat exchanger made of copper piping and aluminium fins
- Helical fan
- 2-speed tropicalized motors, with inner heat insulation, class F windings, with IP55 protection rating
- Accident-proof motor-fan support



### AREO L fan heaters with air curtain diffuser

Code	Model	Nr. Of poles	power supply V-ph-Hz	Air flow m <sup>3</sup> /h	Heating capacity kW	Price list €
AREO326801LO	AREO 32 for air curtain	6 / 8	400-3-50	2700	23,7	727,25
AREO32M031LO	AREO 32 for air curtain	4 / 6 / 8	230-1-50	2700	23,7	761,35
AREO336801LO	AREO 33 for air curtain	6 / 8	400-3-50	2650	27,00	795,43
AREO33M031LO	AREO 33 for air curtain	4 / 6 / 8	230-1-50	2650	27,00	829,52
AREO426801LO	AREO 42 for air curtain	6 / 8	400-3-50	3750	33,65	886,34
AREO42M031LO	AREO 42 for air curtain	4 / 6 / 8	230-1-50	3750	33,65	943,15
AREO436801LO	AREO 43 for air curtain	6 / 8	400-3-50	3700	38,4	954,51
AREO43M031LO	AREO 43 for air curtain	4 / 6 / 8	230-1-50	3700	38,4	999,97
AREO526801LO	AREO 52 for air curtain	6 / 8	400-3-50	5600	40,53	1.079,51
AREO52M031LO	AREO 52 for air curtain	4 / 6 / 8	230-1-50	5600	40,53	1.124,97
AREO536801LO	AREO 53 for air curtain	6 / 8	400-3-50	5500	50,95	1.147,70
AREO53M031LO	AREO 53 for air curtain	4 / 6 / 8	230-1-50	5500	50,95	1.204,51
AREO626801LO	AREO 62 for air curtain	6 / 8	400-3-50	8100	74,3	1.306,78
AREO62M031LO	AREO 62 for air curtain	4 / 6 / 8	230-1-50	8100	74,3	1.363,60
AREO636801LO	AREO 63 for air curtain	6 / 8	400-3-50	8000	89,14	1.420,41
AREO63M031LO	AREO 63 for air curtain	4 / 6 / 8	230-1-50	8000	89,14	1.465,86
<b>AREO fan heater for AIR CURTAIN operation, has to be necessarily matched with the relative diffuser:</b>						
AYLA3	LA 3 air curtain diffuser, size 3					102,27
AYLA4	LA 4 air curtain diffuser, size 4					119,32
AYLA5	LA 5 air curtain diffuser, size 5					147,72
AYLA6	LA 6 air curtain diffuser, size 6					187,49

Heating capacity: water temperature 85/75°C, air temperature 20°C

AREO is complete with a wide range of accessories as control panels usually associated with fan coils, thanks to the use of 230V single-phase three speed motors, a standard arrangement for all models and the operation system with chilled water.

Accessories				
Sigle	Description	AREO on applicability		
		single-phase	three-phase	air curtain
<b>Control panels</b>				
CD	Recess wall-mounted speed switch	✓		
CDE	Wall-mounted speed switch	✓		
TD	Wall-mounted speed switch, electromechanical thermostat and summer-winter selecting switch	✓		
TDC	Wall-mounted speed switch and electromechanical thermostat	✓		
MICROD	Wall-mounted microprocessor control: automatic control of the fan coil unit	✓		
SW	Water temperature electronic sensor for <b>MICRO-D</b> controls	✓		
MICRONET	Microprocessor control <b>ERGO</b> solution	✓		
IPM	Power interface for <b>MICROD</b> and <b>MICROPROD</b>	✓		
KP	Power interface for connecting in parallel up to 4 fan coil units to one control	✓		
TA	electromechanical room thermostat	✓	✓	✓
TA2	electromechanical room thermostat with summer winter selector	✓	✓	✓
CST	delta/star selector for installation in electric panels		✓	✓
CSTP	delta/star selector with box for wall installation		✓	✓
CSD	wall mounted control panel for opening and closing of the motor driven air intake louver <b>PAEMM</b>	✓	✓	
<b>Mounting boards</b>				
DFP	wall mounting board	✓	✓	
DFC	column mounting board	✓	✓	
DFO	adjustable wall/column mounting board	✓	✓	
<b>Fresh air intake</b>				
PAE	fresh air intake louver	✓	✓	
PAE M	manual mixing fresh air intake louver	✓	✓	
PAE MM	motor driven mixing air intake louver, modulating motor, 24V IP 54, with spring return	✓	✓	
GR	fresh air intake grille	✓	✓	
<b>Air diffusers</b>				
DO	Two-row fin diffuser	✓	✓	
R	Protection grille for gymnasium	✓	✓	
LA	Air curtain diffuser			✓

### MICRO D

Wall mounted microprocessor control panel, automatically controls the operation of the **AREO** unit :

- manual or automatic fan speed setting and according to the difference between set point and room temperature
- manual or automatic heating cooling operating mode according to the water temperature.
- regulating thermostat with different operating fields for heating mode (14 - 26°C) and cooling mode (18 - 31°C)



### PAE MM

Motor driven mixing louver for the fresh air and room air intake, supplied with a modulating motor 24V (transformer included) with spring return for the automatic closing of the louver in case of black out.

The motor can be connected to auxiliary contacts for the automatic opening and closing of the louver (extractor, antifreeze thermostat etc.)

The motor driven mixing air intake louver has to be matched to the **CSD** control panel for the proportional opening and closing.

The kit includes also the the fixing brackets for wall installation



### DFO

The DFO option (made in steel of adequate thickness) allows to orient the fan heater as needed (towards left or right), during the installation on indoor columns or walls. The fan heater is connected to the wall mounting board by mean of the four brackets in the back panel of the unit (connection and option mounting screws supplied).



## Control panels and thermostat

Code	Description	Price list €
AYCD	CD Recess wall-mounted speed switch	16,43
AYCDE	CDE Wall-mounted speed selector	26,41
AYTD	TD Wall-mounted control with speed selector, electromechanical thermostat and summer/winter selector	70,42
AYTDC	TDC Wall-mounted control with speed selector and electromechanical thermostat	79,23
AYMICROD	MICRO D Microprocessor wall-mounted control for the automatic control of the fan-coil	85,22
EYMNET	MICRONET Microprocessor control ergo solution	158,43
EYSW	SW Water temperature electronic probe for MICROD	8,81
AYIPM	IPM Power interface for MICROD	117,37
AYKP	KP Power interface for connecting in parallel up to 4 fan coil units to one control	117,37
AYCST	CST delta/star selector for installation in electric panels	51,14
AYCSTP	CSTP delta/star selector with box for wall installation installation	98,86
AYTA	TA Electromechanical room thermostat	30,52
AYTA2	TA2 Electromechanical room thermostat with summer/winter selection	39,90
AYCSD	CSD Wall-mounted control for proportional opening and closing of the PAE MM motor driven air intake louver	52,82

## Mounting boards

Code	Description	Price list €
AYDFP1	DFP 1 wall mounting board, size 1	59,09
AYDFP2	DFP 2 wall mounting board, size 2	62,49
AYDFP3	DFP 3 wall mounting board, size 3	70,45
AYDFP4	DFP 4 wall mounting board, size 4	74,99
AYDFP5	DFP 5 wall mounting board, size 5	77,27
AYDFP6	DFP 6 wall mounting board, size 6	82,96
AYDFC1	DFC 1 column mounting board, size 1	77,27
AYDFC2	DFC 2 column mounting board, size 2	81,82
AYDFC3	DFC 3 column mounting board, size 3	88,63
AYDFC4	DFC 4 column mounting board, size 4	97,73
AYDFC5	DFC 5 column mounting board, size 5	107,95
AYDFC6	DFC 6 column mounting board, size 6	120,45
AYDF01	DFO 1 adjustable wall/column mounting board size 1	134,99
AYDF02	DFO 2 adjustable wall/column mounting board size 2	143,75
AYDF03	DFO 3 adjustable wall/column mounting board size 3	150,00
AYDF04	DFO 4 adjustable wall/column mounting board size 4	187,49
AYDF05	DFO 5 adjustable wall/column mounting board size 5	200,00
AYDF06	DFO 6 adjustable wall/column mounting board size 6	209,99

## Protection net ball blow for gymnasium

Code	Description	Price list €
AYR1	R 1 protection grille for gymnasium, size 1	69,32
AYR2	R 2 protection grille for gymnasium, size 2	71,59
AYR3	R 3 protection grille for gymnasium, size 3	89,76
AYR4	R 4 protection grille for gymnasium, size 4	96,59
AYR5	R 5 protection grille for gymnasium, size 5	120,45
AYR6	R 6 protection grille for gymnasium, size 6	150,00

Diffusers		
Code	Description	Price list €
AYD01	DO 1 two rows fin diffuser, size 1	55,68
AYD02	DO 2 two rows fin diffuser, size 2	64,78
AYD03	DO 3 two rows fin diffuser, size 3	82,96
AYD04	DO 4 two rows fin diffuser, size 4	98,86
AYD05	DO 5 two rows fin diffuser, size 5	125,00
AYD06	DO 6 two rows fin diffuser, size 6	147,72
Fresh air intake		
Code	Description	Price list €
AYPAE1	PAE 1 fresh air intake, size 1	159,08
AYPAE2	PAE 2 fresh air intake, size 2	170,44
AYPAE3	PAE 3 fresh air intake, size 3	187,49
AYPAE4	PAE 4 fresh air intake, size 4	204,54
AYPAE5	PAE 5 fresh air intake, size 5	221,58
AYPAE6	PAE 6 fresh air intake, size 6	244,31
AYPAEM1	PAE M 1 mixing fresh air intake, size 1	349,99
AYPAEM2	PAE M 2 mixing fresh air intake, size 2	374,98
AYPAEM3	PAE M 3 mixing fresh air intake, size 3	412,48
AYPAEM4	PAE M 4 mixing fresh air intake, size 4	449,99
AYPAEM5	PAE M 5 mixing fresh air intake, size 5	487,48
AYPAEM6	PAE M 6 mixing fresh air intake, size 6	537,48
AYPAEMM1	PAE MM 1 motor driven mixing fresh air intake, size 1	863,61
AYPAEMM2	PAE MM 2 motor driven mixing fresh air intake, size 2	892,02
AYPAEMM3	PAE MM 3 motor driven mixing fresh air intake, size 3	931,79
AYPAEMM4	PAE MM 4 motor driven mixing fresh air intake, size 4	977,24
AYPAEMM5	PAE MM 5 motor driven mixing fresh air intake, size 5	1.011,33
AYPAEMM6	PAE MM 6 motor driven mixing fresh air intake, size 6	1.062,47
Rain protection grille for fresh air intake		
Code	Description	Price list €
AYGR1	GR 1 rain protection grille for fresh air intake size 1	126,13
AYGR2	GR 2 rain protection grille for fresh air intake size 2	174,99
AYGR3	GR 3 rain protection grille for fresh air intake size 3	238,63
AYGR4	GR 4 rain protection grille for fresh air intake size 4	310,22
AYGR5	GR 5 rain protection grille for fresh air intake size 5	386,35
AYGR6	GR 6 rain protection grille for fresh air intake size 6	494,31